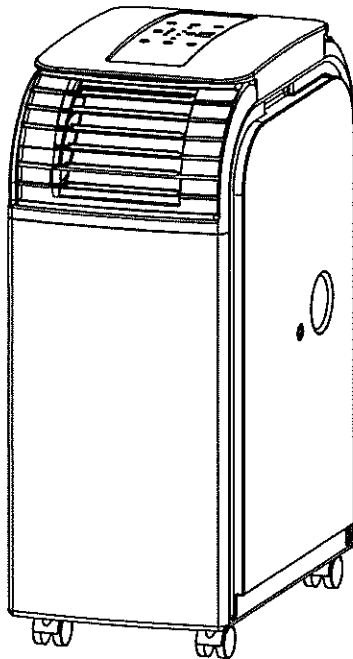




**MODEL:
GDC10CWB**

INSTRUCTIONS FOR USE



MOBILE AIR CONDITIONER

VERY IMPORTANT !

Carefully read this instruction manual before you install or use your portable air conditioner unit.

Please retain this manual for product warranty details and future reference.

CAUTION

1. DO NOT BLOCK THE AIR INLETS OR OUTLETS. Make sure the inlet and outlet vents are never blocked.
2. Always operate this unit on a horizontal surface to avoid water leakage.
3. Do not operate this unit in an explosive or corrosive atmosphere.
4. When switched to cooling, only operate this unit in ambient temperatures between 17°C and 43°C. For heating, only operate this unit in ambient temperatures between 5°C and 23°C.
5. Clean the air filter periodically to ensure efficient operation.
6. To prevent compressor damage when the unit has been operating and is turned off, please wait at least 3 minutes before restarting.
7. This unit needs to be plugged into a 220-240V ~ 50Hz AC, 10 Amp power outlet.
8. Do not use any extension cords with this unit.
9. This unit is for indoor operation only.
10. Open the adjustable air vent and extend the exhaust pipe (and drain pipe, if fitted) to the closest window before using.
11. Always have a professional technician, manufacturer or service agent replace a damaged power cord.
12. The batteries from the remote control must be removed and disposed of safely, before the appliance is scrapped.
13. This appliance is not intended for use by persons (including children) with reduced physical, sensory or mental capabilities, or lack experience and knowledge, unless they have been given supervision or instruction concerning use of the appliance by a person responsible for their safety.
14. Children should be supervised to ensure that they do not play with the appliance.

Important.

**The air conditioning unit must always be stored and transported upright.
In case of doubt we suggest to wait for at least 24 hours with the unit upright before you start the air-conditioning unit.**

CONGRATULATIONS ON YOUR SELECTION OF A QUALITY PORTABLE AIR CONDITIONER

PORTABLE AIR CONDITIONER FEATURES

Your Air Conditioner has been designed and manufactured to the highest standards of modern engineering, and includes the following features:

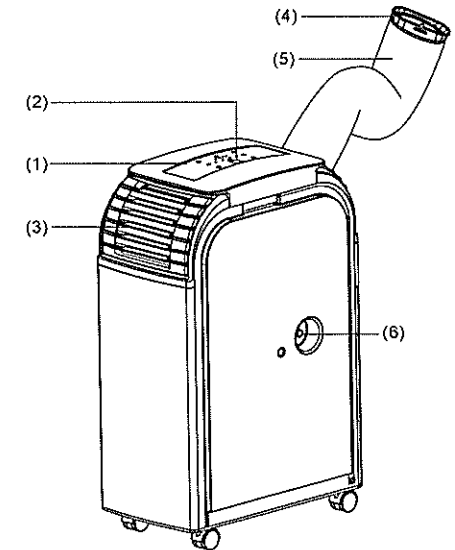
- **A remote control which allows you to conveniently control all of the unit's functions.**
- **Moves easily from room to room on the easy glide castors.**
- **No installation is required. Just plug into any household 10 Amp power outlet.**
- **Designed to cool or heat instantly whenever you want it.**
- **Powerful dehumidification and filtered air cycle to improve breathing conditions.**
- **If remote control is not required, the one touch electronic pad provides easy manual operation.**
- **24 hour programmable timer that can be used with either the air conditioning or the dehumidification setting.**
- **Unique sleep comfort mode.**
- **220-240 Volt 50Hz operation.**
- **1.6 meter cord with plug.**

PACKAGE CONTENTS

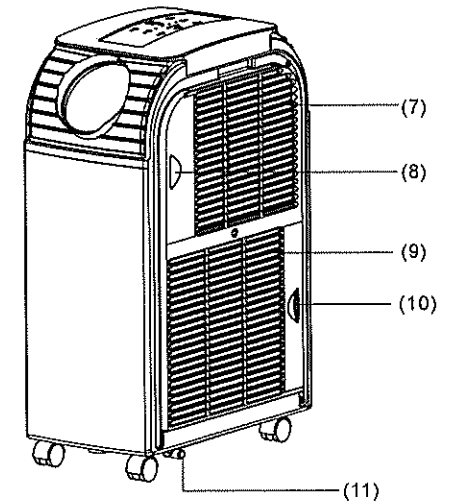
- Mobile air conditioner unit
- Remote control unit
- Batteries for remote control

PARTS

1. Controls
2. Remote receiver
3. Adjustable air vent
4. Window kit adaptor
5. Exhaust tube
6. Upper drain plug

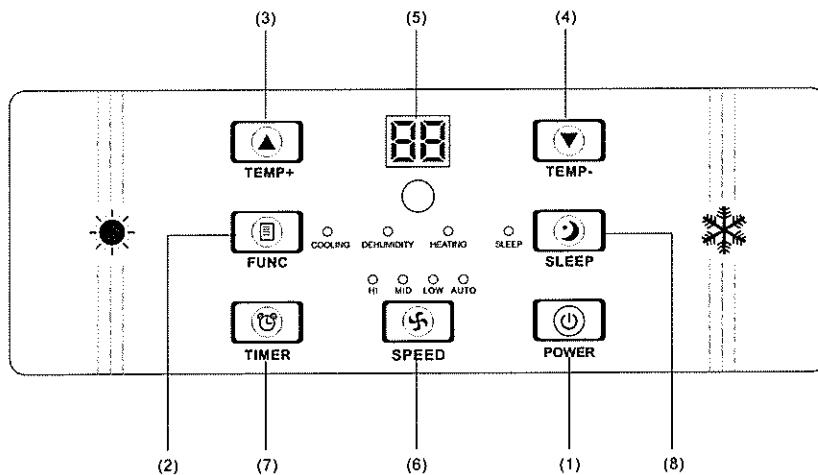


7. Cool air inlet
8. Cool air filter
9. Hot air inlet
10. Hot air filter
11. Lower drain plug



Note: Make sure drain plugs (6 and 11) are fitted before use.

CONTROLS AND DISPLAY



1. POWER Press the POWER button to turn the unit "ON" or "OFF".

- ⊗ The portable air conditioner is fitted with a compressor delay protection circuit. This protects the unit from possible damage due to rapid starting and stopping of its compressor. Compressor operation begins 3 minutes after the unit is switched on or the mode is switched from dehumidify to an air conditioning cycle.

2. FUNCTION Press this button to select cooling, heating or dehumidification.

- ⊗ When the heating or dehumidification functions are used the upper drain plug (6) must be removed and a drain hose must be attached.

3. TEMP+ This button raises the set temperature by 1°C each time it is pressed, to a maximum of 30°C.

4. TEMP- This button lowers the set temperature by 1°C each time it is pressed, to a minimum of 17°C.

- ⊗ The time taken to reach the desired set temperature will depend on the environment and the size of the space the unit is operating in. For example, if the ambient temperature is too hot or the room is too large, the rate at which the temperature descends will be slow as the cooling may be less effective.

5. DISPLAY The display indicates the current the set temperature or the time setting. When the timer are adjusted, the new setting is shown then the display returns to showing the current set temperature.

- ⊗ The display is also used to show error codes should a fault occur, see ERROR CODES.

6. SPEED Press SPEED to select LOW, MEDIUM, HIGH or AUTO fan speed. If AUTO fan speed is selected, the unit operates at maximum capacity and high fan speed while the room temperature is more than 2°C from the set temperature. When the room temperature is within 2°C of the set temperature, the unit operates at medium capacity and fan speed. Once the room temperature equals the set temperature, the unit will operate at minimum capacity and low fan speed to efficiently maintain the desired temperature.

When HIGH, MEDIUM or LOW speed is selected, the unit operates at maximum capacity until the set temperature is reached. The fan operates at the selected speed.

7. TIMER ON/OFF button for the programmable timer.

The timer can be used to turn the unit on automatically after a set time delay is completed or to switch the unit off after a set time.

1. With the unit OFF, press the "TIMER" button to set the desired time delay before the unit is to start.
2. Choose the function desired (cooling, heating or dehumidification.)
3. Once the set time delay is completed, the unit will turn on automatically.
4. If you press the "POWER" button before the time delay is complete, the delay will be cancelled and the unit will turn on immediately.

The timer can be used to turn the unit off automatically after a set time period is completed.

1. With the unit ON, press the "TIMER" button to set the desired time for the unit to remain on.
2. Once the set time period is completed, the unit will turn off automatically.

REMOTE CONTROL

3. If you press the "POWER" button before the time delay is complete, the delay will be cancelled and the unit will turn off immediately.

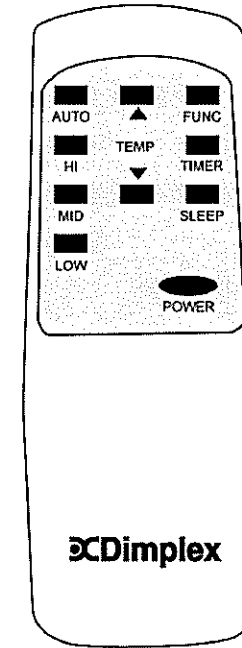
8. SLEEP

Press the SLEEP button to select the sleep comfort mode.

When the unit is cooling and sleep mode is selected, the unit will raise the set temperature 1°C each hour to a maximum of 2°C over two hours and then maintain that temperature for the balance of the time set, to ensure maximum sleep comfort.

When the unit is heating and sleep mode is selected, the unit will lower the set temperature 1°C each hour to a maximum of 2°C over two hours and then maintain that temperature for the balance of the time set, to ensure maximum sleep comfort.

When setting the "sleep comfort" mode please ensure that you then set the number of hours required by pressing the TIMER button. The hours set will be shown on the display. Use the TEMP+ and TEMP- buttons to set the desired temperature.



POWER

FUNC

TIMER

AUTO

HI

MID

LOW

SLEEP



ON/OFF switch

Function selector

Timer programming

Automatic fan speed

High fan speed

Medium fan speed

Low fan speed

Sleep comfort mode selector

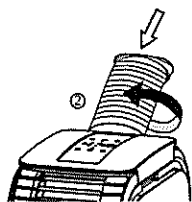
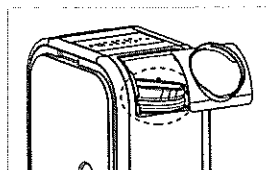
Raise Set Temperature

Lower Set Temperature

INSTALLATION

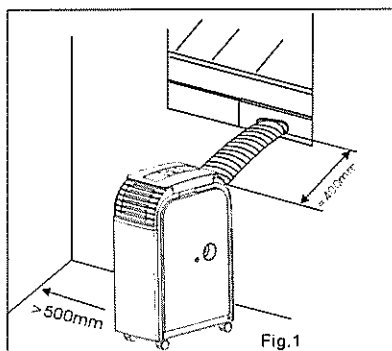
Unpacking the unit.

1. Place the carton upright before unpacking.
2. Cut the packing straps.
3. Slide the carton up off the unit.
4. Grip the unit by its carry handles and lift it from the carton base.
5. Remove the exhaust tube from its storage under the rear air outlet. Replace the rear air outlet.



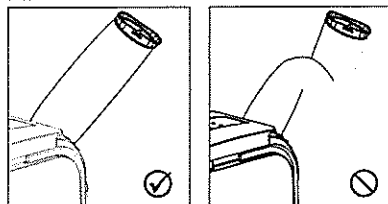
6. Install the exhaust tube by rotating it clockwise onto the rear air outlet.

Locating the unit.



Install the portable air conditioner in a flat location with adequate space to ensure the air inlets and outlets will not be blocked.

Keep a minimum clearance of 50cm from walls or other objects. Locate the unit to allow the exhaust pipe and drain hose to reach a suitable window, as shown.



Avoid sharp bends or kinks in the exhaust pipe.

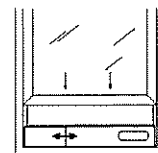
The optional adjustable window slider kit to ensure the exhaust pipe is held in place in the window and prevents expelled hot air re-entering the room.

The appliance should not be used in damp areas such as a laundry or bathroom.

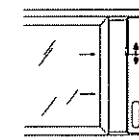
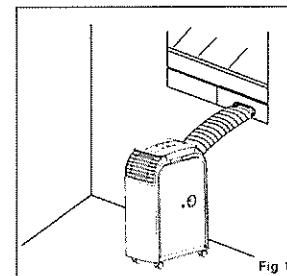
Do not place the unit where it will be in direct sunlight, it may overheat and turn off.

ADJUSTABLE WINDOW SLIDER KIT(Optional)

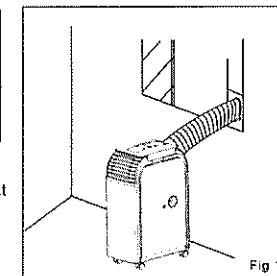
The adjustable window slider kit is installed as shown below.



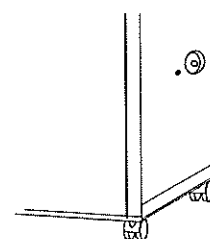
Window slider kit
min: 55cm
max: 100cm



Window slider kit
min: 55cm
max: 100cm



HEATING AND DEHUMIDIFICATION



When the heating or dehumidification functions are used the upper drain plug (6) must be removed and a drain hose must be attached.

HEATING

When using the heating function move the rear air outlet with the exhaust tube to the front of the unit as below:

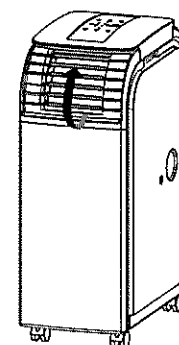


Fig.01

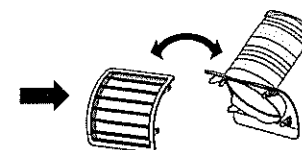


Fig.02

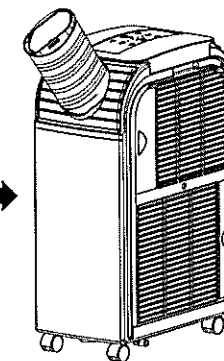


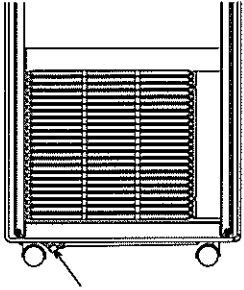
Fig.03

Return the outlet and tube to the rear of the unit for cooling or dehumidification.

WATER DRAIN (Error code E4)

When the air conditioner is used, excess water condensation may be produced that cannot be removed via the exhaust hose. This water is captured by an internal container. When this container is full, the unit will stop working and display the E4 error code..

When the error code E4 is displayed the water collected in the internal container must be manually drained:



1. Switch off and unplug the unit.
2. Move the unit to a suitable place to drain the water.
Consider placing a tray or suitable container under the outlet pipe to catch the drained water.
3. Remove the lower drain plug (11), refer to parts illustration.
4. Slightly tilt the unit to the rear to drain the water.
5. Replace the drain plug.

Make sure the drain plug is re-fitted to the drain outlet before use.

Extend the exhaust to the window before the unit is restarted.

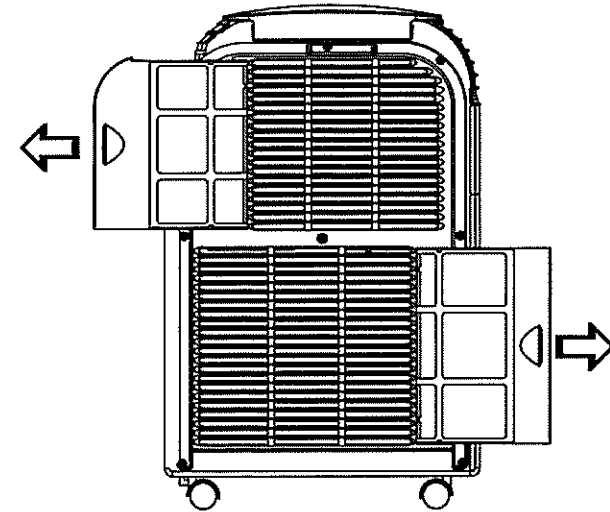
MAINTENANCE

WARNING: ALWAYS UNPLUG THE UNIT BEFORE MOVING OR CLEANING.

CLEANING

Air filter

The air filters located on the rear of the unit can be removed simply by pulling the filter frame slightly out and then across to the side.



Condenser / Evaporator

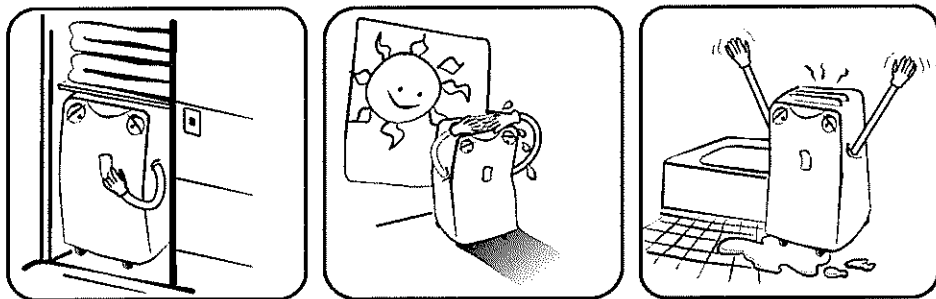
Use a vacuum cleaner brush attachment.

Cabinet

Wipe with a damp cloth and polish with a soft cloth.

CARE OF THE UNIT

1. Only plug the unit into the correct 220-240V~ 50Hz AC 10 AMP power supply.
2. Hold the plug when unplugging the unit, never pull on the cord.
3. Do not place the unit in direct sunlight. This can fade the plastic case.
4. Do not operate the unit in a confined space.
5. Do not place objects on top of the unit. This blocks the air outlet.
6. Do not place the unit where the air inlets or outlets may be blocked by curtains or furniture.
7. Keep the filters clean.



OVERHEATING PROTECTION

This unit is fitted with an overheating prevention device. If the unit overheats it will automatically turn off. The unit can be restarted after 30 minutes.

ERROR CODES

Error codes are shown on the display should a fault occur.

E1: Indicates open circuit or short circuit in the room temperature sensor.

E2: Indicates open circuit or short circuit in the pipe temperature sensor.

E3: Indicates a refrigerant leak.

Please contact an authorized service centre if any of the above error messages are shown.

E4: Indicates the internal water container is full. Refer to WATER DRAIN.

If error code E4 persists, please contact an authorized service centre.

TROUBLE SHOOTING

Never try to repair or dismantle the air conditioner yourself. Unauthorized repairs may result in the loss of warranty and can endanger the user and their property.		
Problem	Cause	Solution
The air conditioner does not operate.	No power supply.	Connect to a functioning power supply socket and switch on.
	Error code E4 is shown, indicating the internal water container is full.	Empty the internal water container. (Refer to WATER DRAIN)
	The start timer function is active.	Press the POWER button to deactivate the TIMER function.
The air conditioner does not seem to operate efficiently.	The air conditioner is in direct sunlight.	Close the curtains.
	Windows or doors are open, There are too many people or a heat source in the room.	Close windows and doors. Place an extra air conditioner in the room. Remove the heat source.
	The filter are dirty.	Clean the filters.
	The air inlets or outlets are blocked.	Remove the blockage.
	The room temperature is below the set temperature.	Lower set temperature.
The air conditioner is noisy.	The air conditioner is not level.	Place the air conditioner on an even, solid surface.
The compressor does not work.	The overheat protection is activated.	Wait 30 minutes until the temperature has decreased, then turn the air conditioner on again. Note: Compressor operation begins 3 minutes after the unit is switched on.
The remote control does not function.	The distance between the remote control and the air conditioner is too great.	Move closer to the air conditioner. Aim the remote control directly at the control panel.
	The batteries are flat.	Replace the batteries.

If you have any issues with your unit, please contact Glen Dimplex for your nearest service agent.

Proof of purchase is required at the time of service.

WARRANTY

The warranty period is 24 months from the date of purchase.

Glen Dimplex Australasia Ltd

38 Harris Road, East Tamaki,
Manukau, Auckland 2013

New Zealand

Ph: (09) 274 8265

Fax: 0800 112 020

Web: www.glendimplex.com.au

Glen Dimplex Australia Pty Ltd

2/205 Abbots Road,
Dandenong South VIC 3175

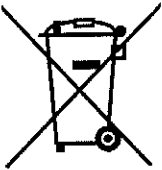
Australia

Ph: 1300 556 816

Fax: 1800 058 900

Web: www.glendimplex.co.nz

DISPOSAL



- Do not dispose of electrical appliances as unsorted municipal waste. Use separate collection facilities.
- Contact your local government for information regarding the collection systems available.
- If electrical appliances are disposed of in landfills or dumps, hazardous substances can leak into the ground water, polluting the food chain and damaging health and well-being.

SPECIFICATIONS

Model No.	GDC10RCWB
Power Source	220-240V ~ 50Hz AC
Power Consumption (EN14511)	1245W / 1090W
Rated Power (EN60335)	1280W / 1100W
Cooling / Heating Capacity	3000W / 3000W
Air Flow	360 M ³ /H
Moisture Removed	40 L/DAY
Refrigerant	R410A
Min. room size	10 - 20m ²
Dimensions (mm)	300W x 480D x 630H
Net Weight	29.5KG